



**anderson
electronics, llc**
A Lokos Electronics Company



721 Scotch Valley Road
Hollidaysburg, PA 16648



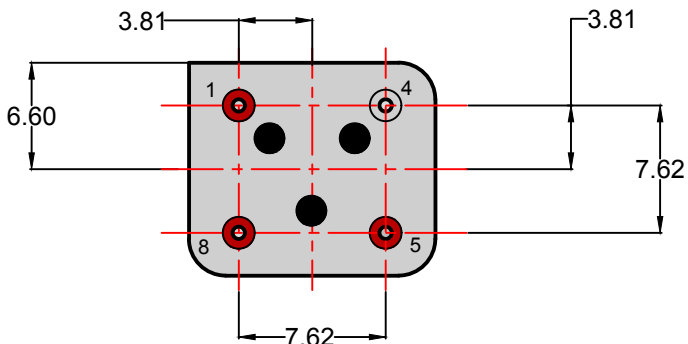
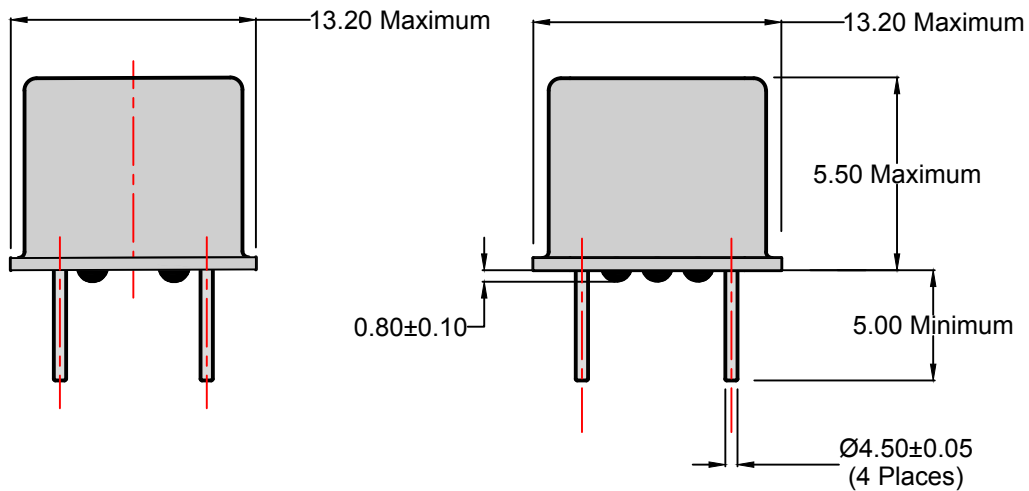
Phone: (814) 695-4428
Fax: (814) 696-0403
E-mail: sales@aextal.com

Electrical Specifications

500.000 KHz to 155.520 MHz Half Size 3.3 Volt Clock Oscillator

Parameters	Conditions	Minimum	Nominal	Maximum	Units
Center Frequency (fo)		0.50000		155.52000	MHz
Frequency Stability		±10		±100	ppm
Best Frequency Stability	-10°C to +70°C	-10		-10	ppm
	-40°C to +85°C	-25		+25	
	-10°C to +70°C	-100		+100	
	-40°C to +85°C	-100		+100	
Rise Times (RT) & Fall Times (FT)			5.0	10.0	nSec
Duty Cycle (@1.4V)		40	50	60	% (Percent)
Output Waveform (Symmetrical squarewave)	HCMOS/TTL				
Load				10 / 15	TTL/pf
Supply Voltage (Vcc)		2.97	3.3	3.63	Volts
Operating Temperature Range		-40		+85	°C/Degrees
Storage Temperature Range		-55		+125	
Start-Up Time				10	mS
Low Level Output Voltage (Level 0:)				0.1	Vdd
High Level Output Voltage (Level 1:)		0.9			
Input Current	500.00 KHz to 23.999 MHz			15	mA
	24.00 MHz to 49.999 MHz			35	
	50.000 MHz to 155.520 MHz			45	

Title: 500.00 KHz to 155.20 MHz 1/2 DIL Clock			Revision Record				Tolerances (inches): XX: ±0.020,XXX: ±0.008
			Date:	Level	Description:	ECN:	
Drawing No.: AE305 1/2 Size Clock Oscillator							Author: <i>D. Gibney</i>
Date: 1/06/2017	Scale: 1:1	Rev: A					Authorized By: <i>C. Sokol</i>
Page: 1 of 2	Cage: 3BPV9	Size: A					



PIN	CONNECTION
1	No Connect
4	Ground/Case
5	Output
8	Supply

Dimensions in Units: mm



anderson electronics, llc.
721 Scotch Valley Road
Hollidaysburg, PA 16648

Tolerances (inches):
XX=±.020, XXX=±.008
Tolerances (millimeters):
XX=±0.50, XXX=±0.10



Author:
D. Gibney
Authorized By:
Chris Sakel

Title: .5000 MHz to 155.520 MHz 1/2 DIL Clock

Drawing No.: AE305 1/2 Size Clock Oscillator

Date: 1/06/2017 **Scale:** N.T.S. **Rev:** 0
Page: 2 of 2 **Cage:** 3BPV9 **Size:** A

Revision Record			
Date	Level	Description	ECN