



# anderson electronics, llc

A Lokos Electronics Company



721 Scotch Valley Road  
Hollidaysburg, PA 16648



Phone: (814) 695-4428  
Fax: (814) 696-0403  
E-mail: sales@aextal.com

## Electrical Specifications

### 32.768 KHz to 155.520 MHz Full Size 5.0 Volt Clock Oscillator with Enable

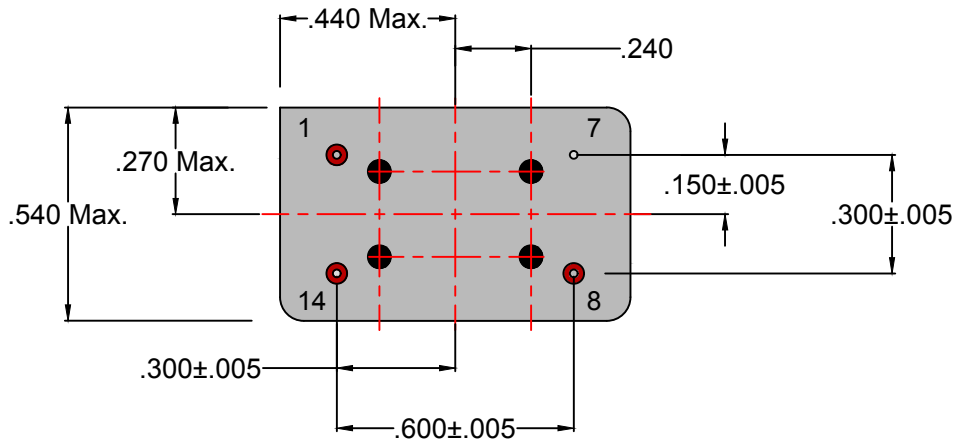
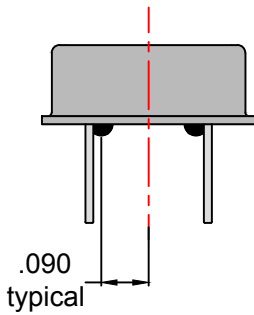
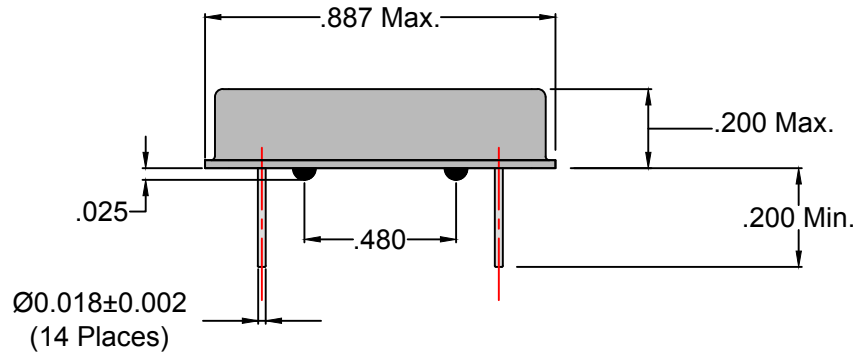
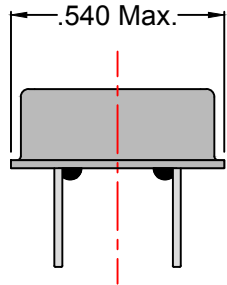
Parameters	Conditions	Minimum	Nominal	Maximum	Units
Center Frequency (fo)		0.032768		155.520000	MHz
Frequency Stability		±10		±100	ppm
Best Frequency Stability	-10°C to +70°C	-10		-10	ppm
	-40°C to +85°C	-25		+25	
	-10°C to +70°C	-100		+100	
	-40°C to +85°C	-100		+100	
Rise Times (RT) & Fall Times (FT)	Less than 24 MHz			10.0	nSec
	Greater than 24.001 MHz			5.0	
Duty Cycle (@1.4V)		40	50	60	% (Percent)
Output Waveform (Symmetrical squarewave)	HCMOS/TTL				
Load				10 / 50	TTL/pf
Supply Voltage (Vcc)		4.5	5.0	5.5	Volts
Operating Temperature Range		-40		+85	°C/Degrees
Storage Temperature Range		-55		+125	
Start-Up Time				10	mS
Low Level Output Voltage (Level 0:)	TTL			0.4	V
High Level Output Voltage (Level 1:)	TTL	2.4			V
Low Level Output Voltage (Level 0:)	HCMOS			0.1	Vdd
High Level Output Voltage (Level 1:)	HCMOS	0.9			Vdd
Input Current	32.768 KHz to 25.000 MHz			20	mA
	25.001 MHz to 50.000 MHz			25	
	50.001 MHz to 80.000 MHz			45	
	80.001 MHz to 155.520 MHz			50	

Note: A +3.3V ±10% supply voltage dip is available reference 331 Series

Title: 32.768 KHz to 155.20 MHz 4-Pin Dip			Revision Record				Tolerances (inches): XX: ±0.020,XXX: ±0.008
			Date:	Level	Description:	ECN:	
Drawing No.: AE431 Dual In Line Oscillator							Author: <i>D. Gibney</i>
Date: 1/07/2017	Scale: 1:1	Rev: A					Authorized By: <i>C. Sakol</i>
Page: 1 of 2	Cage: 3BPV9	Size: A					

Marking Area

Pin #1  $\Delta$



PIN	CONNECTION
1	Enable/Disable
7	Ground/Case
8	Output
14	Supply



**anderson electronics, llc.**  
721 Scotch Valley Road  
Hollidaysburg, PA 16648

Tolerances (inches):  
XX=±.020, XXX=±.008  
Tolerances (millimeters):  
XX=±0.50, XXX=±0.10

**Title:** 32.768 Khz to 155.520 MHz 4Pin Dip

Revision Record			
Date	Level	Description	ECN



Author:  
*D. Gibney*  
Authorized By:  
*Chris Sakel*

**Drawing No.:** AE431 Dual In Line Oscillator

Date: 1/06/2017    Scale: N.T.S.    Rev: 0

Page: 2 of 2    Cage: 3BPV9    Size: A