



anderson electronics, llc

A Lokos Electronics Company



721 Scotch Valley Road
Hollidaysburg, PA 16648



Phone: (814) 695-4428
Fax: (814) 696-0403
E-mail: sales@aextal.com

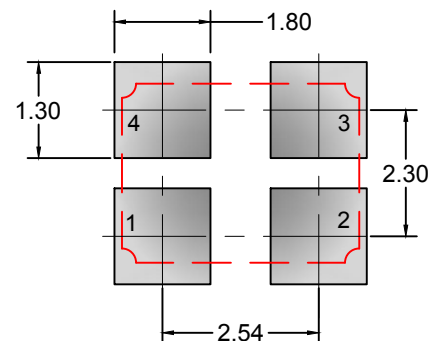
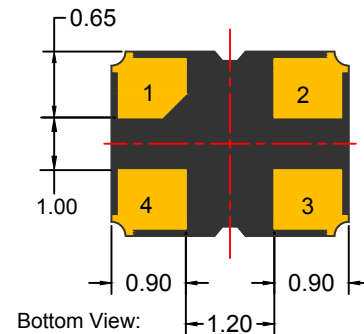
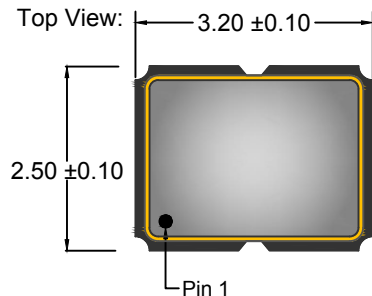
AE 808 Series Surface Mount Crystal Oscillator 3.2 x 2.5 x 1.20 mm

AE809 Series has a Frequency Range of 1 MHz to 150 MHz.

AE809 is a hermetically sealed oscillator with precision timing for telecom, networking and PDA's.

Part Numbering Definition Guide: AE808-T-H-5-2070-3R0-50M000000

Example AE809	N	T	5	2070	3R0	50M000000
Enable	N					No Connect
	T					Tri-State
Output		T				TTL/CMOS
		H				HCMOS
		L				LVC MOS
Frequency Stability			1			+10 ppm
			2			+20 ppm
			3			+30 ppm
			5			+50 ppm
			Z			± Custom
Operating Temperature				5055		-50 to +105°C
				4085		-40 to +85°C
				3060		-30 to +60°C
				2070		-20 to +70°C
Supply Voltage					3R3	+3.3 V
					3R0	+3.0 V
					2R5	+2.5 V
					1R8	+1.8 V
					1R5	+1.5 V
Storage Temperature						-55°C to +125°C
Input Current						5mA maximum (Based on Supply Voltage)
Load						15pf /10 TTL Gates
Duty Cycle						40% to 60% (45% to 55% optional)
Rise/Fall Times				15	nS (maximum)	
Start-Up Time						10 mS maximum
Output Voltage Levels						High (Minimum) 90
						Low (Maximum) 10
						%Vcc



Recommended Land Pattern
Dimensions in Units: mm

Pin	Function
1	N/C or Tri-State
2	Ground/Case
3	Output
4	Supply Voltage

REFLOW PROFILE

